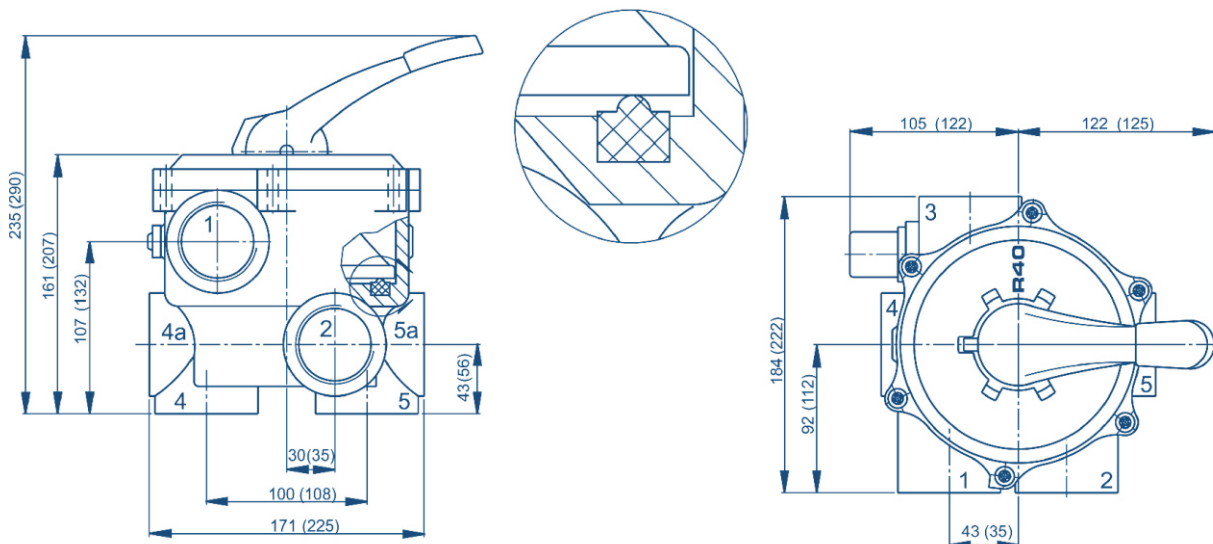
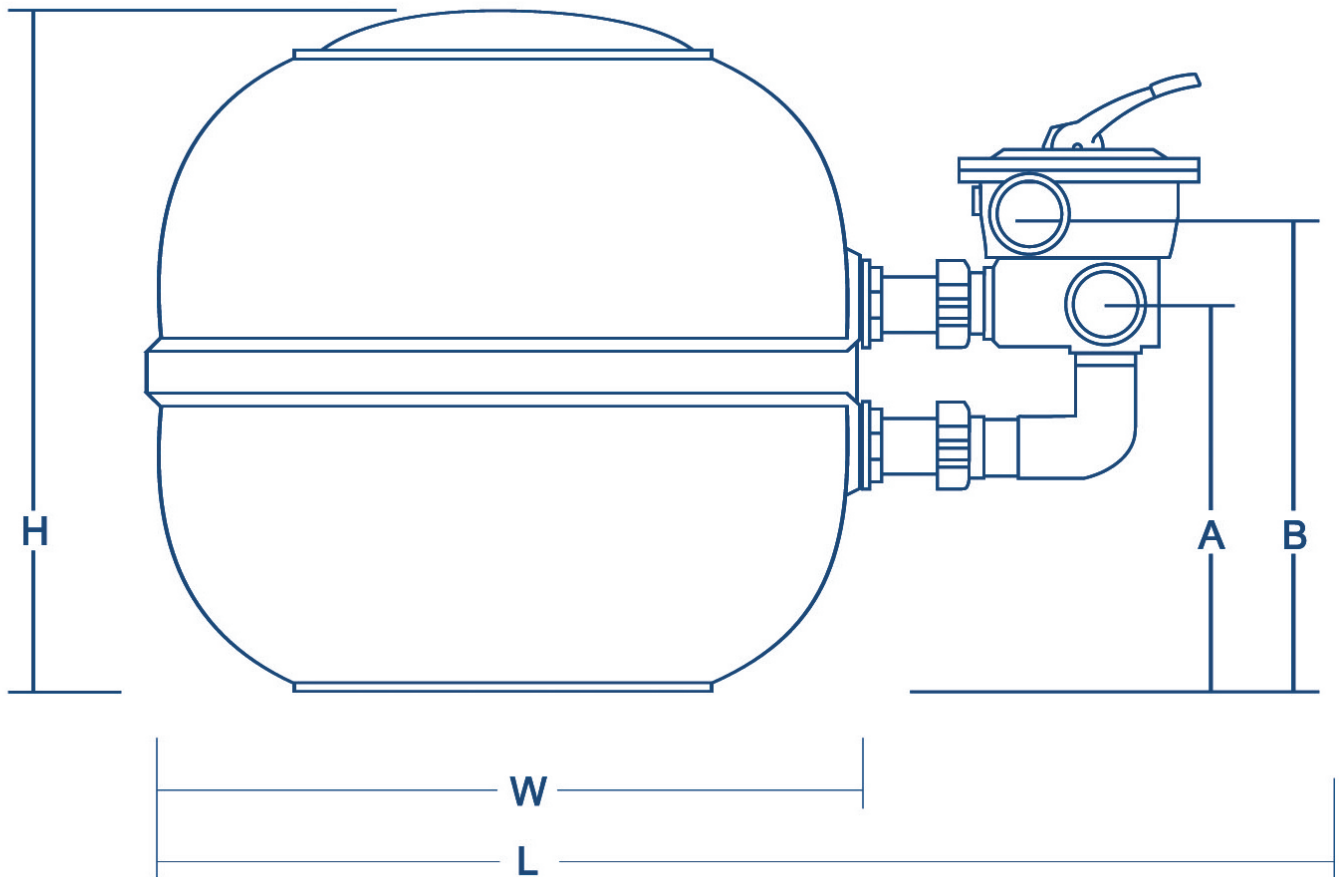


AQUASWIM® FILTER

High rate sand filter
Hoë werkverrigting sand filter

DIMENSIONAL DRAWING / DIMENSIONELE SKETS



AQUASWIM® range dimension table (mm) / AQUASWIM®-afmetingstabel (mm)

Type / Model	Height / Hoogte	Length / Lengte	Width / Breedte	Weight (Excl. sand) / Gewig (sonder sand)	A	B
AQUASWIM®2	590	860	520	13.5	325	390
AQUASWIM®3	610	920	580	14.74	330	395
AQUASWIM®4	700	950	610	17.13	380	445
JUMBO	940	1190	800	39.05	550	620

Flow rate in m³ at 80 kPa L/hour

Vloeiempo in m³ teen 80 kPa

AQUASWIM® 2	9.5
AQUASWIM® 3	12.5
AQUASWIM® 4	14.5
JUMBO	25

Pool size equipment recommendations

Toerusting aanbeveel volgens swembadgrootte

Pool Size / Swembadgrootte	Pump / Pomp	Filter / Filter
15 000 to 35 000 lit	0.25 kW	1 Bag
30 000 to 55 000 lit	0.45 kW	2 Bag
50 000 to 85 000 lit	0.75 kW	3 Bag
80 000 to 150 000 lit	1.10 kW	4 Bag or Jumbo
140 000 to 190 000 lit	1.50 kW	Jumbo